

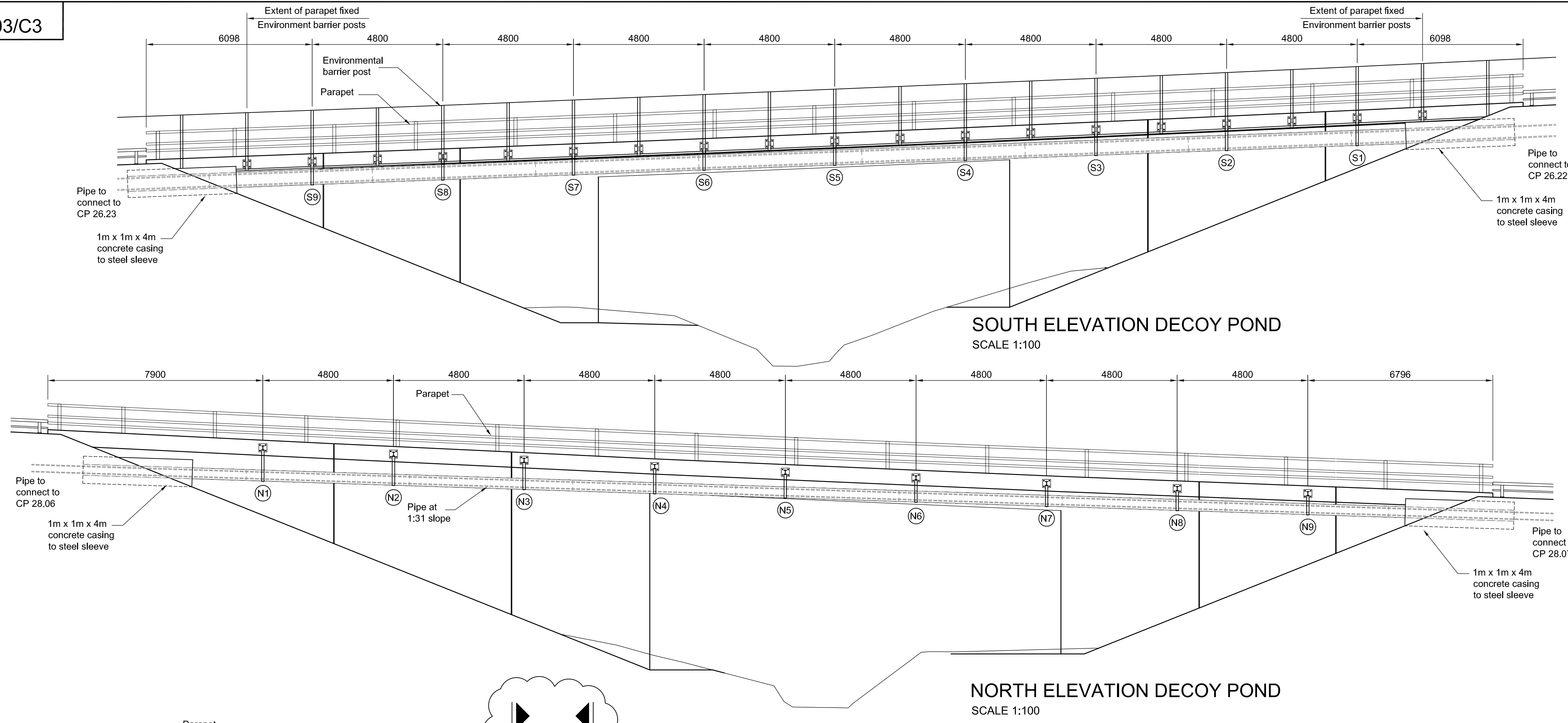
SOUTH ELEVATION

Strap No. (from E-W)	Dimension A (mm)	Dimension B (mm)
S1	954	383
S2	913	342
S3	878	307
S4	849	278
S5	826	255
S6	809	238
S7	797	226
S8	791	220
S9	790	219

NORTH ELEVATION

Strap No. (from E-W)	Dimension A (mm)	Dimension B (mm)
N1	1157	739
N2	1080	662
N3	1009	591
N4	931	513
N5	878	460
N6	825	407
N7	773	355
N8	740	321
N9	709	291

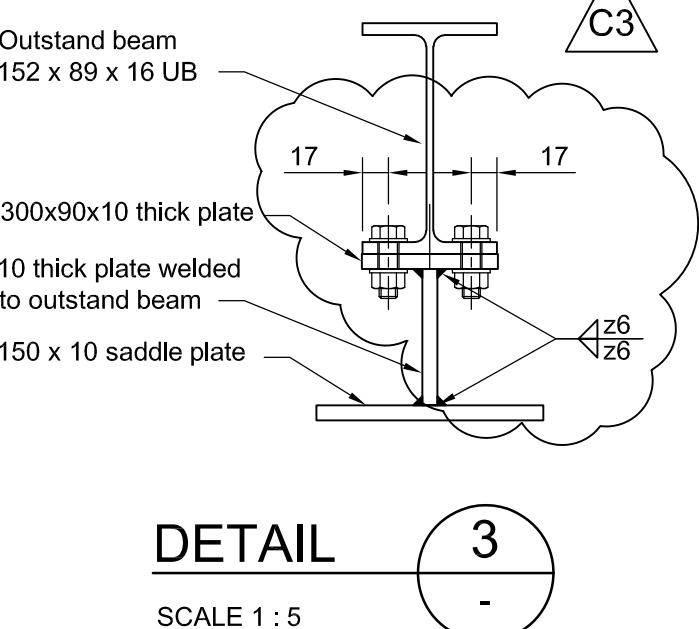
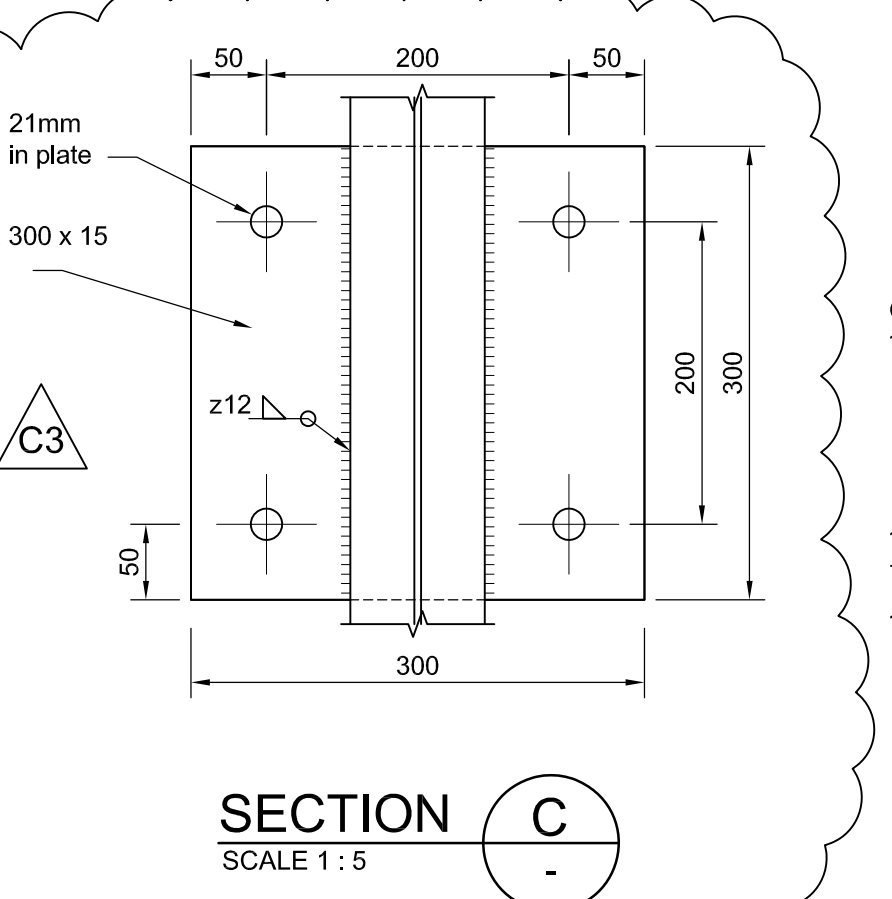
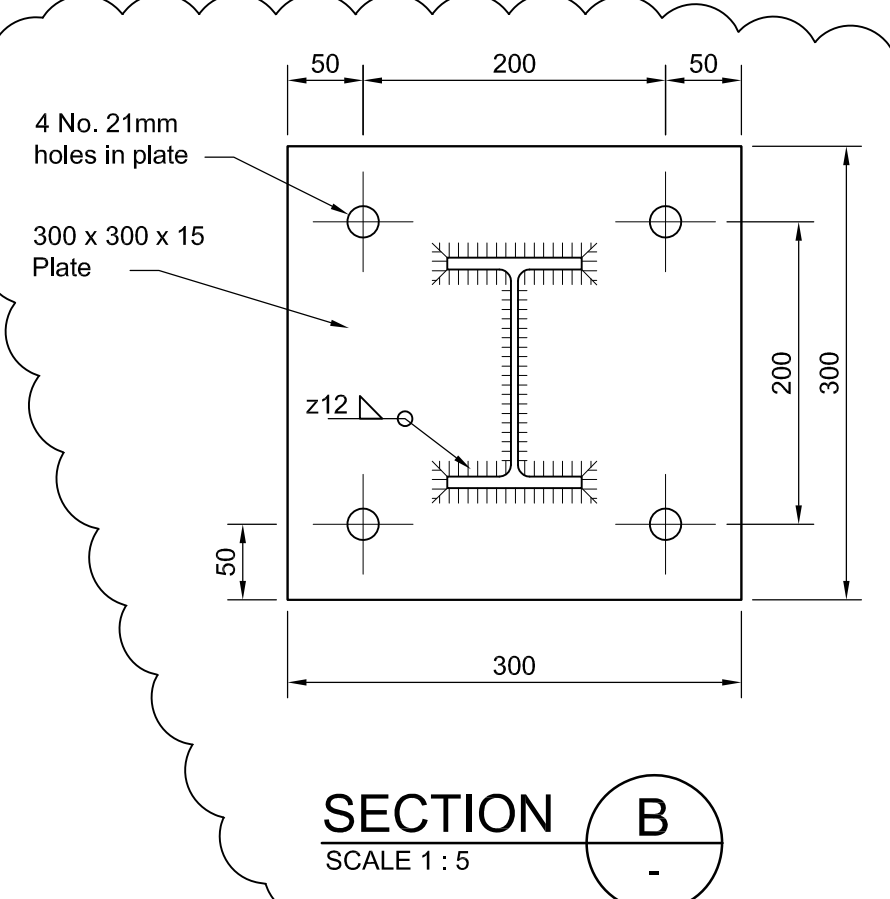
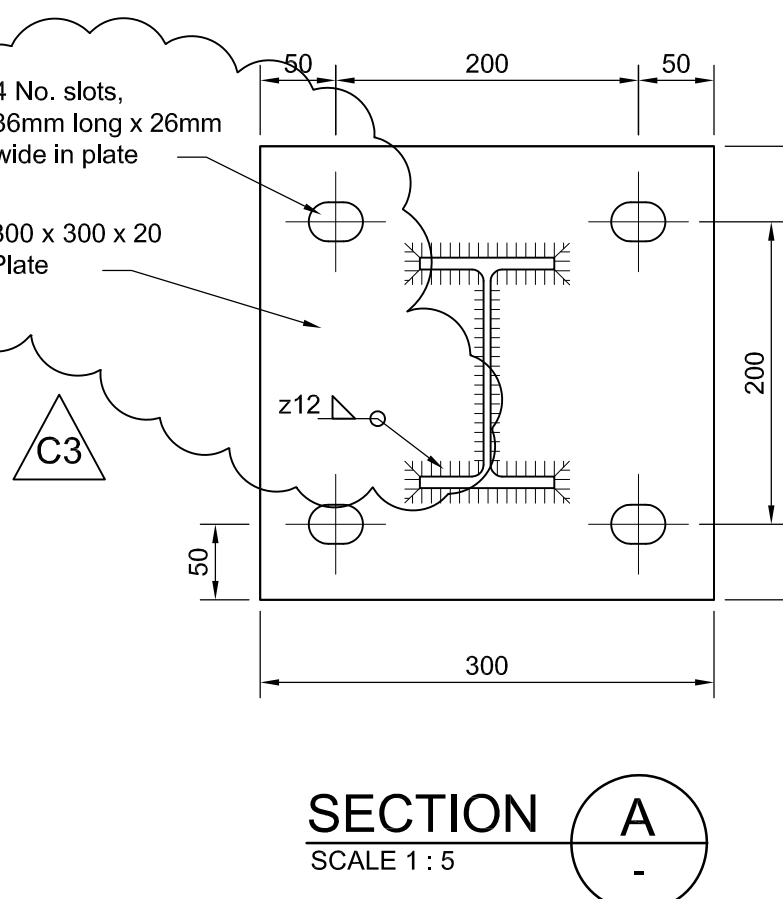
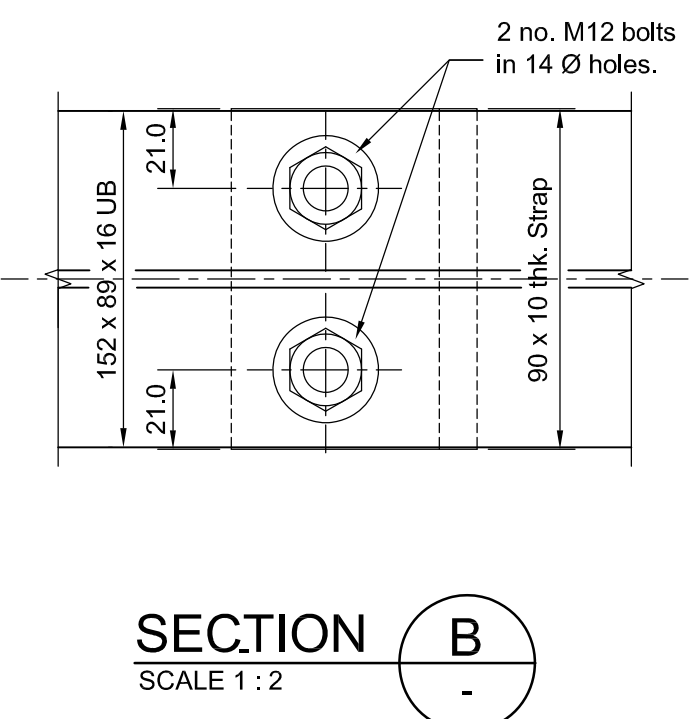
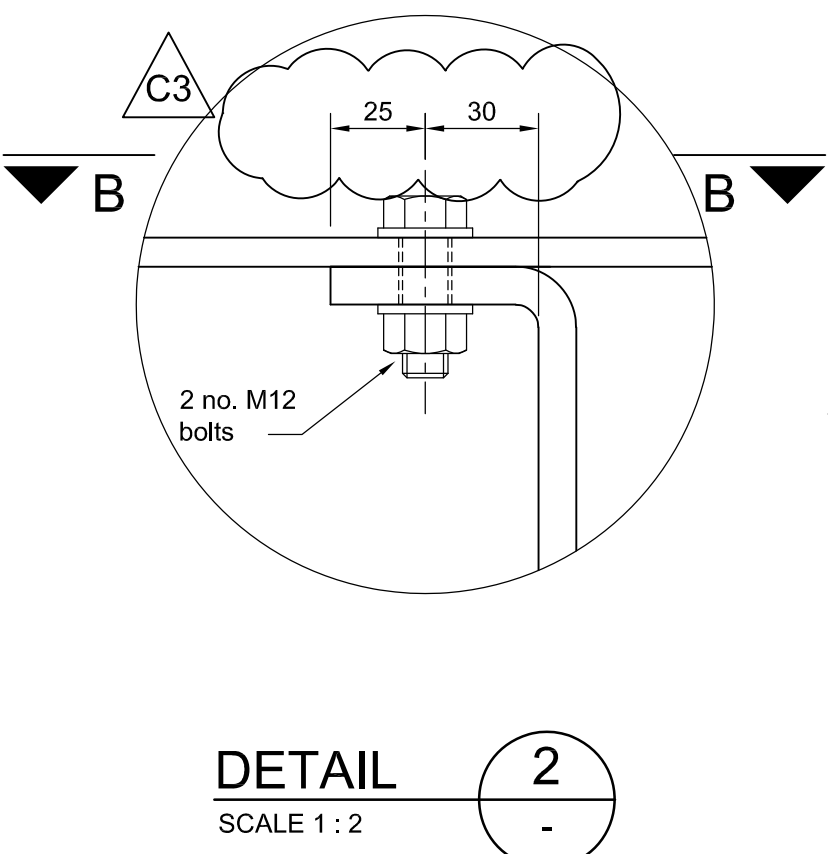
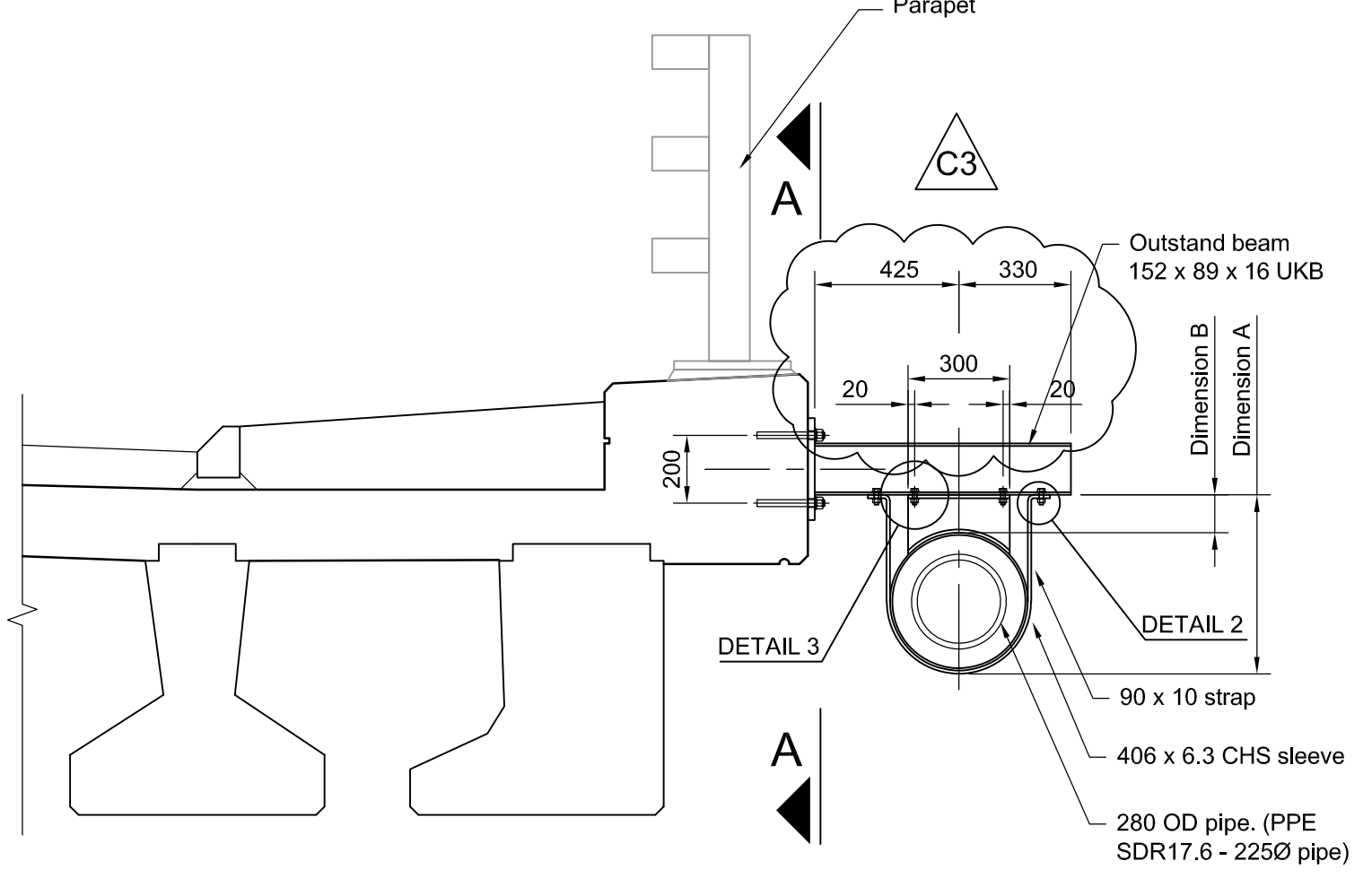
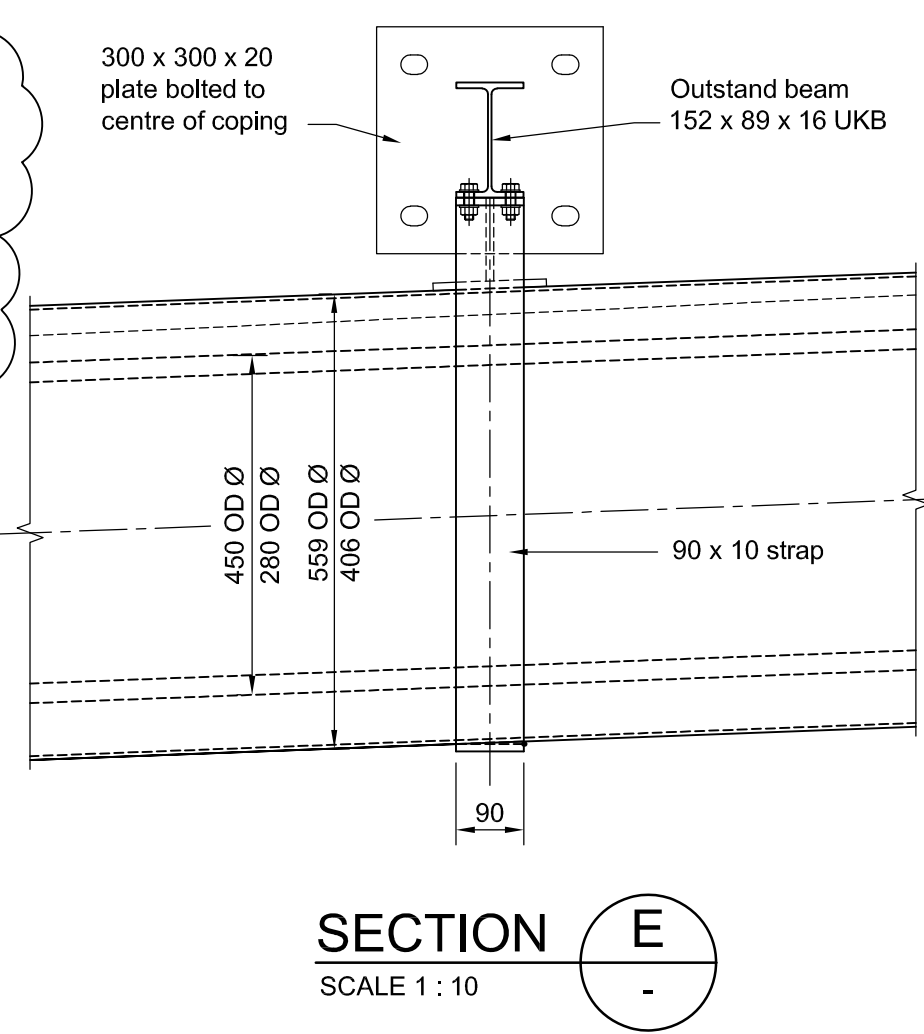
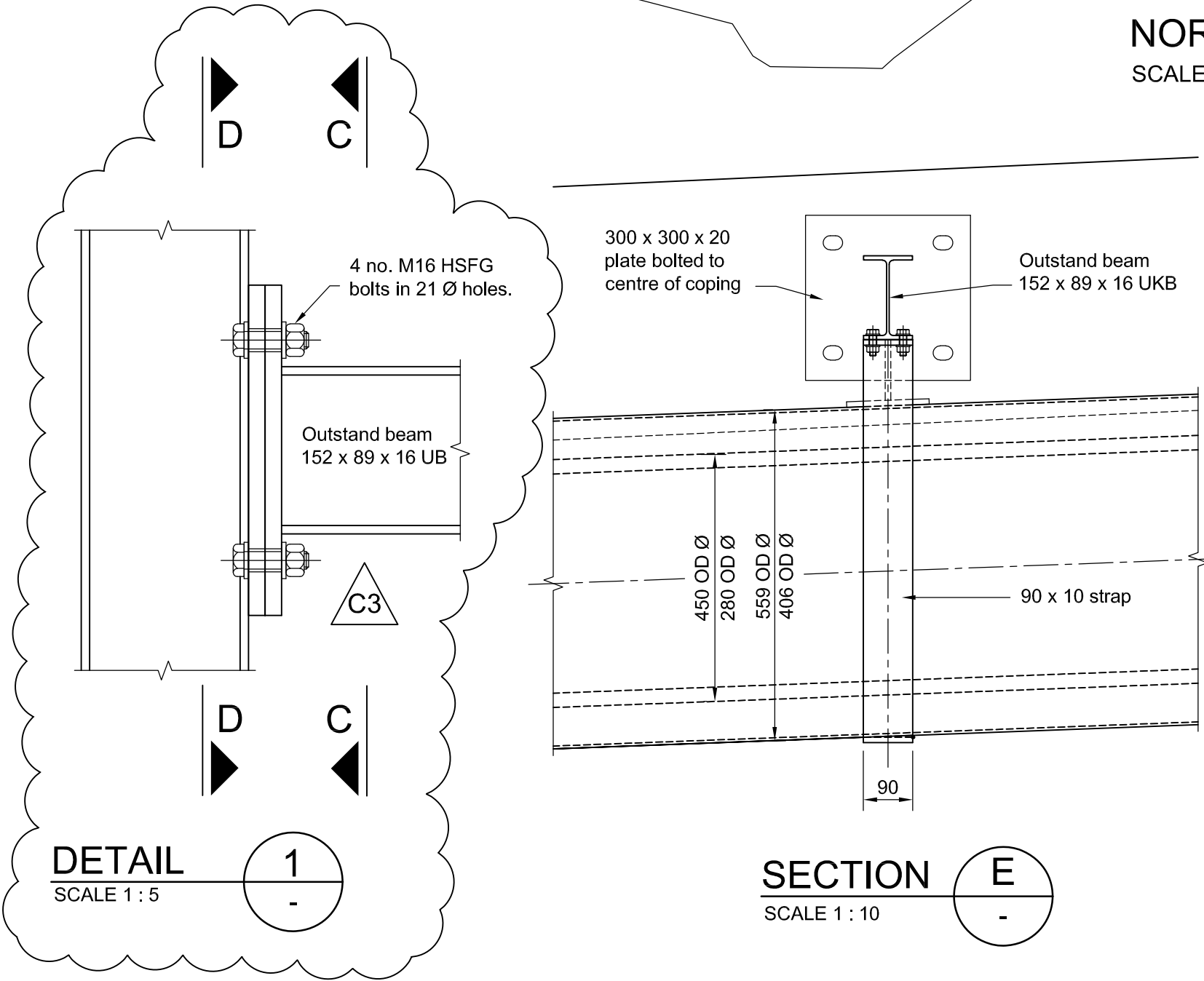
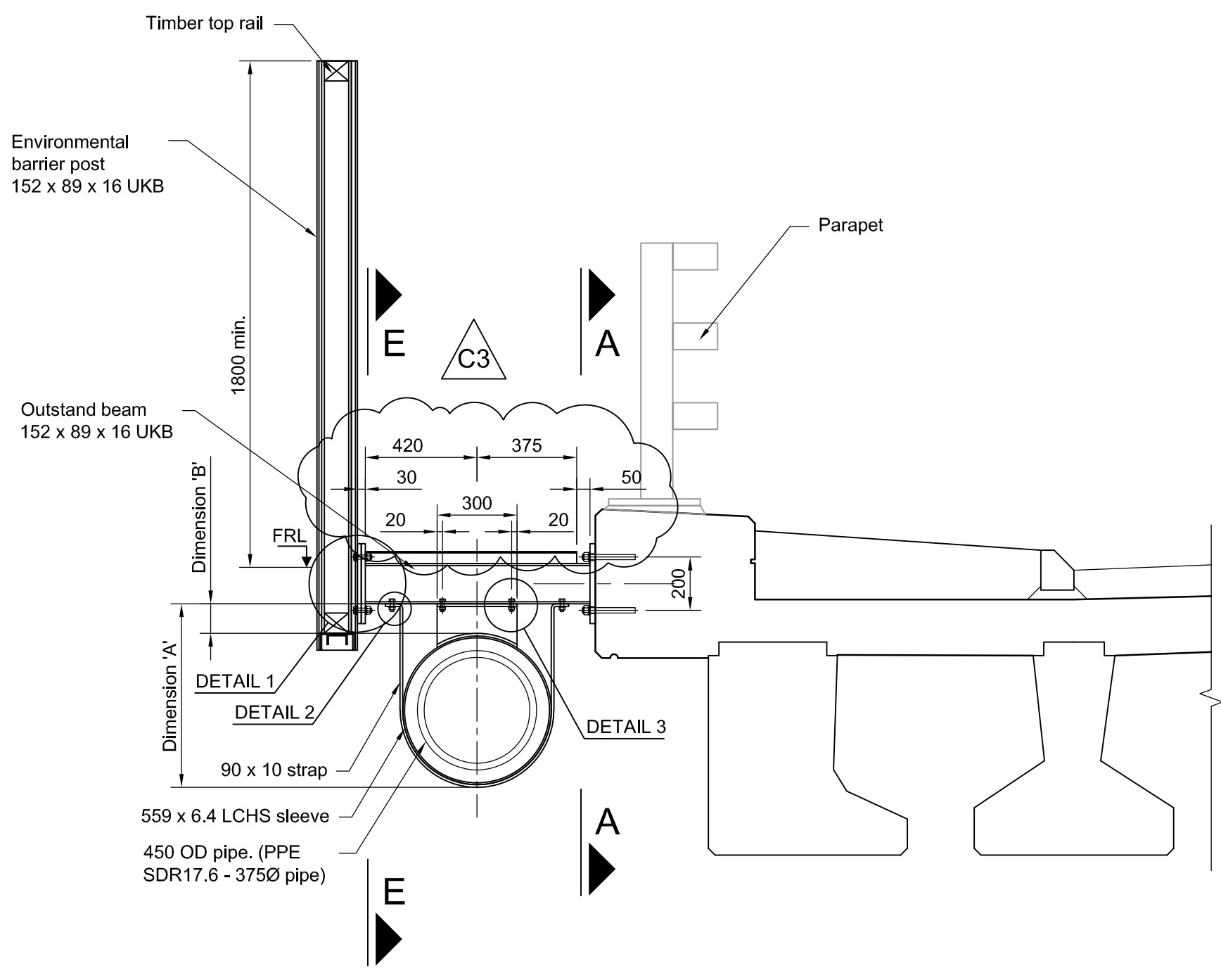
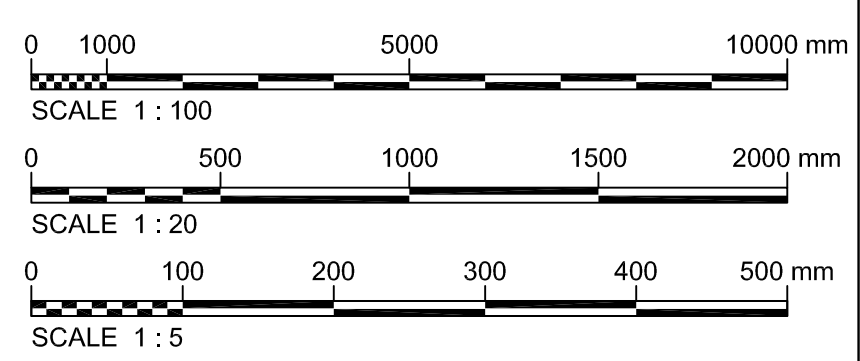
TABLE OF PIPE SUPPORT STRAP DIMENSIONS



- NOTES**
- All dimensions in millimetres unless otherwise specified.
 - All levels in metres AOD (Above Ordnance Datum - Newlyn). All chainages in metres.
 - Steel section sizes are to be confirmed by the Environmental Barrier supplier. All steel to be S275J2 to BS EN 10025:2004 and painted in accordance with clause 2504.12 of the Specification of Highways Works.
 - For general environmental barrier notes & base plate anchorage system, refer to drawing B1297000-PH2/1600.01a/9902.
 - Open mesh floor to be galvanised mild steel with galvanised diamond patterned cover plate, clipped to the top flange of the outstand beams - South side only. Floor panels to be 790mm wide and length to suit environmental barrier post spacing (2400mm over bridge deck and wingwalls). Floor to be adequate for light industrial use: Live loading - 3kN/m².
 - Pipe support (strap and saddle) at 4.8m spacings on both the north and south sides.
 - Base plates to be attached at the centre of parapet coping.

KEY
FRL: Finished Road Level

SAFETY, HEALTH AND ENVIRONMENTAL INFORMATION	
In addition to the hazards/risks normally associated with the types of work detailed on this drawing, note the following:	
CONSTRUCTION	None
MAINTENANCE / CLEANING	None
DECOMMISSIONING / DEMOLITION	None
It is assumed that all works will be carried out by a competent contractor working, where appropriate, to an approved method statement	



Rev	Rev. Date	Purpose of revision	Drawn	Checked	Rev'd	Apprv'd
C3	19/01/15	STEELWORK DETAILING AMENDED	GA	PB	PB	JP
C2	03/11/14	ISSUED FOR CONSTRUCTION	GA	PGO	PB	JP
C1	24/09/14	ISSUED FOR CONSTRUCTION	GA	PGO	PGO	JP
C0	28/06/13	ISSUED FOR CONSTRUCTION	HN	PGO	PB	RRD
R0	11/03/13	For Review	GA	PGO	PB	RRD

JACOBS
Simpson House, 6 Cherry Orchard Road, Croydon, Surrey, CR9 6BE
Tel: +44(0)208 666 8212 Fax: +44(0) 208 681 2499
www.jacobs.com

Client: **HOCHTIEF TAYLOR WOODROW** Employer: **East Sussex County Council**
ecslsusssex.gov.uk

Project: **BEXHILL TO HASTINGS LINK ROAD**

Drawing title: **BEXHILL TO HASTINGS LINK ROAD ENVIRONMENTAL BARRIERS (SHEET 2 OF 4)**

Drawing status: **FOR CONSTRUCTION**

Scale: **AS SHOWN @ 841X594 DO NOT SCALE**

Jacobs No.: **B1297000**

Drawing number: **B1297000/PH2/1600.01A/9903** Rev: **C3**

This drawing is not to be used in whole or part other than for the intended purpose and project as defined on this drawing. Refer to the contract for full terms and conditions.